

TECHNICAL INFORMATION

MAP Sensor Filter

(Filter Gas)



Concept

Developed by ds engineering, the map sensor filter supports the pressure in the system, allowing the sensor to inform the use of the absolute pressure measured inside the intake manifold, in a clean and accurate way.

Principle

The map sensor filter has the function of retaining any impurity that could prevent the perfect functioning of the map sensor.

Location

It is located near the intake manifold (vacuum tube) making the connection with the map sensor.



How to test?

With the assistance of a pressure pump, connect it to one end of the filter and close the other end, apply a pressure of approximately 2.0 bar and check for possible leaks.

Installation procedure

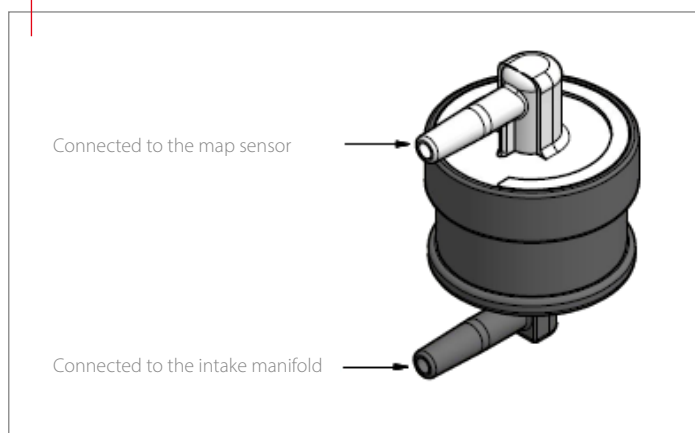
Procedimiento de reemplazo del Filtro del Sensor MAP

Step 1: Disconnect the inlet and outlet hoses from the filter;

2nd step: Remove the damaged filter from the plug holder;

3rd step: Install the ds filter;

Step 4: Connect the inlet hoses to the outlet, as shown in the image below:



5th step: Start the engine and check its perfect functioning.

CAUTIONS

Some procedural errors lead the applicator to mistake. That is why you should pay attention to:

- Incorrect attachment of the filter;
- Misapplication of the model;
- Incorrect installation of inlet and outlet hoses;
- Inlet and outlet hoses with holes and / or obstructed.

The cross reference (original code x ds code) is the best way to identify the model corresponding to the vehicle.

What are the effects of a defective map sensor filter?

the most common defects caused by map sensor filter problems are:

 Map sensor malfunction;

 Injection light on;

 Vehicle power loss.



www.ds.ind.br  [dschiavetto](https://www.facebook.com/dschiavetto)  [dsindustria](https://www.instagram.com/dsindustria)  [dsindustria](https://www.youtube.com/dsindustria)

DS Schiavetto & Cia Ltda.
Av. José Abbas Casseb, nº 75, S. J. Rio Preto - SP
Dist. Ind. Ulisses Guimarães - CEP 15092-606 - Brasil
Tel + 55 17 3227 1446